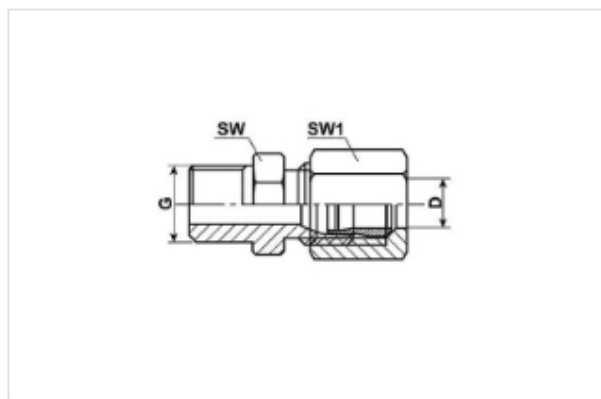


## COMPRESSION FITTINGS - STRAIGHT SCREW COUPLING



Steel zinc / steel zinc-nickel / Cr-VI free

Item No.	Description	D	G	SW	SW1	Serie	Bag	Box
104-001	GE04-LL M6x1	4	M 6 x 1 tap	9	10	LL	50	500
104-002	GE04-LL M8x1	4	M 8 x 1 tap	9	10	LL	50	500
104-002-8x1,25	GE04-LL M8x1,25	4	M 8 x 1,25 tap	9	10	LL	50	500
104-003	GE04-LL M10x1	4	M 10 x 1 tap	11	10	LL	50	500
104-004	GE04-LL 1/8BSPT	4	R 1/8 BSP tap	11	10	LL	50	500
106-001	GE06-LL M6x1	6	M 6 x 1 tap	11	12	LL	100	500
106-002	GE06-LL M8x1	6	M 8 x 1 tap	11	12	LL	100	500
106-002-8x1,25	GE06-LL M8x1,25	6	M 8 x 1,25 tap	11	12	LL	100	500
106-003	GE06-LL M10x1	6	M 10 x 1 tap	11	12	LL	100	500
106-003-L	GE06-L M10x1	6	M 10 x 1 tap	14	14	L	50	500
106-003-L-ZYL	GE06-L M10x1	6	M 10 x 1 cyl	14	14	L	50	500
106-007-L	GE06-L M14x1,5	6	M 14 x 1,5 cyl	19	14	L	50	500
106-004	GE06-LL 1/8BSPT	6	R 1/8 BSP tap	11	12	LL	100	500
106-004-L	GE06-L 1/8BSPT	6	R 1/8 BSP tap	14	14	L	50	500
106-004-L-ZYL	GE06-L 1/8BSPT	6	R 1/8 BSP cyl	14	14	L	50	500
106-008-L	GE06-L 3/8BSP	6	R 3/8 BSP cyl	14	14	L	50	500
106-005	GE06-LL 1/4BSPT	6	R 1/4 BSP tap	11	12	LL	100	500
106-005-L	GE06-L 1/4BSPT	6	R 1/4 BSP tap	14	14	L	50	500
106-005-S	GE06-S 1/4BSP	6	R 1/4 BSP cyl	17	19	S	50	
106-005-L-NPT	GE06-L 1/4NPT	6	1/4 NPT	17	14	L	50	500
106-004-NPT	GE06-LL 1/8NPT	6	1/8 NPT	11	12	LL	100	500

SEPARATING SURFACES SINCE '76

## COMPRESSION FITTINGS - STRAIGHT SCREW COUPLING

1012-005	GE06-LL 1/4-28UNF	6	1/4 - 28 UNF	11	12	LL	100	500
108-001	GE08-LL M6x1	8	M 6 x 1 tap	14	14	LL	50	500
108-002	GE08-LL M8x1	8	M 8 x 1 tap	14	14	LL	50	500
108-003	GE08-LL M10x1	8	M 10 x 1 tap	14	14	LL	50	500
108-008-L	GE08-L M14x1,5	8	M 14 x 1,5 cyl	19	14	L	50	250
108-004	GE08-LL 1/8 BSPT	8	R 1/8 BSP tap	14	14	LL	50	500
108-004-L	GE08-L 1/8BSPT	8	R 1/8 BSP tap	19	14	L	50	250
108-005	GE08-LL 1/4BSPT	8	R 1/4 BSP tap	19	14	LL	50	250
108-005-L	GE08-L 1/4BSPT	8	R 1/4 BSP tap	19	17	L	50	250
110-003-L	GE10-L M 10x1	10	M 10 x 1 cyl	17	19	L	50	500
110-004-L	GE10-L 1/8BSP	10	R 1/8 BSP cyl	17	19	L	50	500
110-005-L	GE10-L 1/4BSP	10	R 1/4 BSP cyl	19	19	L	50	250
110-008-L	GE10-L M14x1,5	10	M 14 x 1,5 cyl	19	19	L	50	500

### Stainless steel 1.4401 / 316 / V4A

Item No.	Description	D	G	SW	SW1	Serie	Bag	Box
1012-001	GE04-LL M6x1	4	M 6 x 1 tap	9	10	LL	25	250
1012-002	GE04-LL M8x1	4	M 8 x 1 tap	9	10	LL	25	250
1012-003	GE04-LL M10x1	4	M 10 x 1 tap	11	10	LL	25	250
1012-004	GE04-LL R1/8BSPT	4	R 1/8 BSP tap	11	10	LL	25	250
106-001-VA	GE06-LL M6x1	6	M 6 x 1 tap	11	12	LL	25	500
106-002-VA	GE06-LL M8x1	6	M 8 x 1 tap	11	12	LL	25	500
106-003-VA	GE06-LL M10x1	6	M 10 x 1 tap	11	12	LL	25	500
106-003-L-VA	GE06-L M10x1cyl	6	M 10 x 1 cyl	14	14	L	25	250
106-004-VA	GE06-LL 1/8BSPT	6	R 1/8 BSP tap	11	12	LL	25	250
106-004-VA-L	GE06-L 1/8BSP	6	R 1/8 BSP cyl	14	14	L	25	250
106-005-VA-L	GE06-L 1/4BSPT	6	R 1/4 BSP tap	19	14	L	25	250
1012-006	GE06-LL /8NPT	6	1/8 NPT	11	12	LL	25	250
108-003-VA-L	GE08-L M10x1	8	M 10 x 1 cyl	17	17	L	25	250
108-004-VA	GE08-LL 1/8BSP	8	R 1/8 BSP cyl	14	14	LL	25	250
108-004-VA-L	GE08-L 1/8BSPT	8	R 1/8 BSP tap	14	17	L	25	250
108-005-VA-L	GE08-L 1/4BSPT	8	R 1/4 BSP tap	19	17	L	25	250
110-003-VA-L	GE10-L M10x1	10	M 10 x 1 cyl	17	19	L	25	250