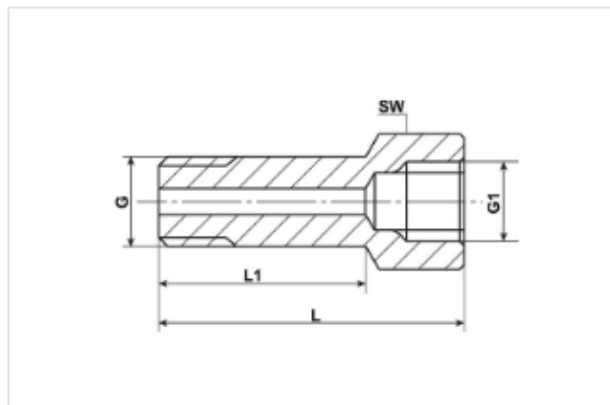


SEPARATING SURFACES SINCE '76

## ADAPTERS - EXTENSIONS - REDUCERS



### Adapter - extension piece with metric and BSP thread

Steel zinc / steel zinc-nickel / CrVI free

Item N°	G	G1	L	L1	SW	Bag	Box
100-125	M 6 x 1 tap	M 6 x 1	57,5	7,5	9	50	500
2510-102	M 6 x 1 tap	M 6 x 1	20	7,5	9	50	500
100-120	M 6 x 1 tap	M 8 x 1	19	7	11	50	500
2510-103	M 6 x 1 tap	M 10 x 1	23	10	13	50	500
2510-104	M 6 x 1 tap	Rp 1/8 BSP	23	10	13	50	500
100-130	M 8 x 1 tap	M 8 x 1	18	8	11	50	500
100-130-1	M 8 x 1,25 tap	M 8 x 1,25	20	7	11	50	500
100-132	M 8 x 1 tap	M 8 x 1	32	22	11	50	500
100-132-1	M 8 x 1,25 tap	M 8 x 1,25	32	22	11	50	500
100-135	M 8 x 1 tap	M 8 x 1	62,5	52,5	11	50	500
100-137	M 8 x 1 tap	M 10 x 1	23	12	13	50	500
100-170	M 8 x 1 tap	Rp 1/8 BSP	23	12	13	50	500
100-169	M 8 x 1 tap	Rp 1/4 BSP	22	8	17	50	500
100-140	M 10 x 1 tap	M 8 x 1	18	8	11	50	500
100-142	M 10 x 1 tap	M 10 x 1	18	7	13	50	500
100-141	M 10 x 1 tap	M 10x1	23	12	13	50	500
2510-211	M 10 x 1,5 tap	M 10x1	23	12	13	50	500
100-145	M 10 x 1 tap	M 10x1	35	24	13	50	500
100-143	M 10 x 1 tap	M 10x1	40	29	13	50	500

## ADAPTERS - EXTENSIONS - REDUCERS

2510-211	M 10 x 1 ,5 tap	M 10x1	23	12	13	50	500
100-145	M 10 x 1 tap	M 10x1	35	24	13	50	500
100-143	M 10 x 1 tap	M 10x1	40	29	13	50	500
2510-105	M 10 x 1 tap	M 10x1	40	9	14	50	500
100-146	M 10 x 1 tap	M 10x1	50	39	13	50	500
100-171	M 10 x 1 tap	Rp 1/4 BSP	22	8	17	50	500
100-151	R 1/8 BSP tap	M 10x1	18	7	13	50	500
100-152	R 1/8 BSP tap	Rp 1/8 BSP	18	11	13	50	500
100-155	R 1/8 BSP tap	M 8x1	18	7	13	50	500
2510-106	M 10 x 1 tap	Rp 1/8 BSP	18	7	13	50	500
100-148	R 1/8 BSP tap	Rp 1/8 BSP	23	12	13	50	500
100-156	R 1/8 BSP tap	Rp 1/8 BSP	30	18	13	50	500
100-149	R 1/8 BSP tap	Rp 1/8 BSP	35	23	13	50	500
100-157	R 1/8 BSP tap	Rp 1/8 BSP	41	29	13	50	500
100-154	R 1/8 BSP tap	Rp 1/8 BSP	45	33	13	50	500
100-153	R 1/8 BSP tap	Rp 1/8 BSP	50	38	13	50	500
100-144	R 1/4 BSP tap	M 10x1	20	9	17	50	500
100-147	R 1/4 BSP tap	Rp 1/8 BSP	20	9	17	50	500
100-162	R 1/8 BSP tap	Rp 1/4 BSP	22	8	17	50	500
100-160	R 1/4 BSP tap	Rp 3/8 BSP	27	11	22	50	500
100-161	R 1/4 BSP tap	Rp 1/4 BSP	25	9	19	50	500
2510-210	R 1/4 BSP tap	Rp 1/4 BSP	50	36	17	50	250
2510-209	R 1/4 BSP tap	Rp 1/4 BSP	65	51	17	50	250
100-186	R 1/4 BSP tap	Rp 1/4 BSP	85	71	17	50	250
100-187	R 1/4 BSP tap	Rp 1/4 BSP	104	90	17	50	250

SEPARATING SURFACES SINCE '76

## ADAPTERS - EXTENSIONS - REDUCERS

Stainless steel 1.4401 / 316 / V4A

Item N°	G	G1	L	L1	SW	Bag	Box
2510-207	M 6 x 1 tap	Rp 1/8 BSP	23	12	13	25	500
2510-208	M 8 x 1 tap	Rp 1/8 BSP	23	10	13	25	500
2510-201	M 10 x 1 tap	M 10 x 1	18	7	13	25	500
100-141-VA	M 10 x 1 tap	M 10 x 1	23	12	13	25	500
2510-202	M 10 x 1 tap	M 10 x 1	35	24	13	25	500
2510-203	M 10 x 1 tap	M 10 x 1	50	39	13	25	500
2510-204	R 1/8 BSP tap	Rp 1/8 BSP	18	7	11	25	250
100-148-VA	R 1/8 BSP tap	Rp 1/8 BSP	23	12	13	25	500
2510-205	R 1/8 BSP tap	Rp 1/8 BSP	35	23	13	25	500
2510-206	R 1/8 BSP tap	Rp 1/8 BSP	50	38	13	25	250

### Adapter - extension piece with NPT / UNF thread

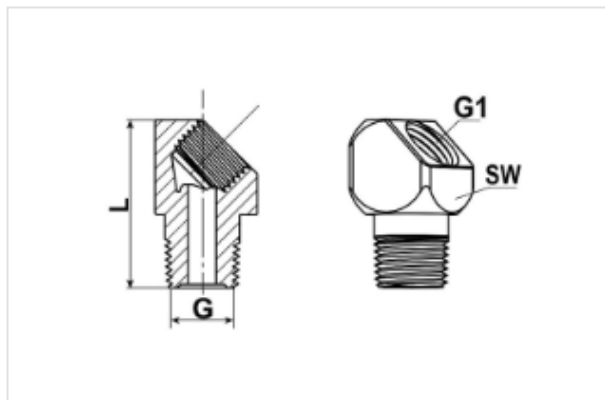
Steel zinc / steel zinc-nickel / CrVI free

Item N°	G	G1	L	L1	SW	Bag	Box
100-182	1/8 NPT	1/8 NPT	20	9	1/2	50	500
100-183	1/8 NPT	1/8 NPT	30	18	1/2	50	500
2510-101	1/8 NPT	1/8 NPT	48	36	9/16	50	500
100-167	1/4-28 UNF	Rp 1/8 BSP	23	12	1/2	50	500

Please note:

It is also possible to connect a lubrication line directly to this adapter, extension piece.

## ADAPTERS - EXTENSIONS - REDUCERS - 45°



**Attention:**

Please check after assembly the fitting (male thread) into the angle adapter 90° (female thread), that the passage / flow is not closed.

Steel zinc / steel zinc-nickel / CrVI free

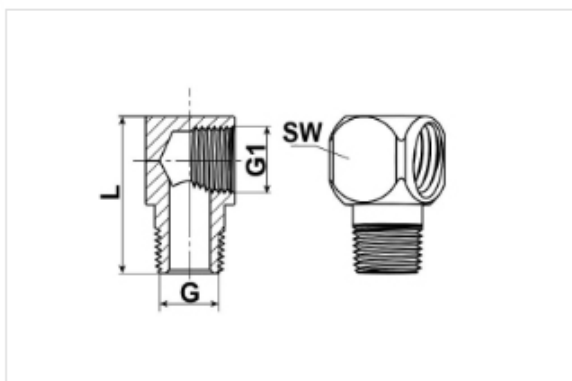
Item No.	G	G1	L	SW	Bag	Box
100-821	M 6 x 1 tap	M 8x1	23	13	50	500
100-822	M 8 x 1 tap	M 8x1	23	13	50	500
100-823	M 10 x 1 tap	M 8x1	23	13	50	500
100-833	M 10 x 1 tap	M 10x1	23	13	50	500
5010-102	M 6 x 1 tap	Rp 1/8 BSP	23	13	50	500
100-844	R 1/8 BSP tap	Rp 1/8 BSP	23	13	50	500
100-855	R 1/4 BSP tap	RP 1/4 BSP	33	17	50	500
5010-101	1/8 NPT tap	1/8 NPT	23	9/16	50	500

Stainless steel 1.4401 / 316 / V4A

Item No.	G	G1	L	SW	Bag	Box
5010-201	M 10 x 1 tap	M 10x1	23	13	25	500
5010-202	R 1/8 BSPT tap	Rp 1/8 BSP	23	13	25	500

SEPARATING SURFACES SINCE '76

## ADAPTERS - EXTENSIONS - REDUCERS - ELBOW 90°



Steel zinc / steel zinc-nickel / CrVI free

Item No.	G	G1	L	SW	Bag	Box
100-711	M 6 x 1 tap	M 6x1	23	12	50	500
100-721	M 6 x 1 tap	M 8x1	23	12	50	500
100-722	M 8 x 1 tap	M 8x1	23	12	50	500
100-722-1	M 8 x 1,25 tap	M 8x1,25	23	12	50	500
100-723	M 10 x 1 tap	M 8x1	23	12	50	500
100-724	R 1/8 BSP tap	M 8x1	23	12	50	500
5011-105	M 6 x 1 tap	M 10x1	23	13	50	500
100-732	M 8 x 1 tap	M 10x1	23	13	50	500
100-733	M 10 x 1 tap	M 10x1	23	13	50	500
5011-106	M 10 x 1 tap	M 10x1	29	13	50	500
100-733-10x1,5	M 10 x 1,5 tap	M 10x1	23	13	50	500
100-744	R 1/8 BSP tap	Rp 1/8 - BSP	23	13	50	500
100-755	R 1/4 BSP tap	RP 1/4 BSP	23	17	50	500
5011-101	1/8 NPT	1/8 NPT	23	9/16"	50	500
5011-102	1/8 NPT	1/8 NPT	38	9/16"	50	500
5011-103	M 6 x 1 tap	1/8 NPT	23	9/16"	50	500
5011-104	1/4-28 UNF	1/8 BSP	23	13	50	500

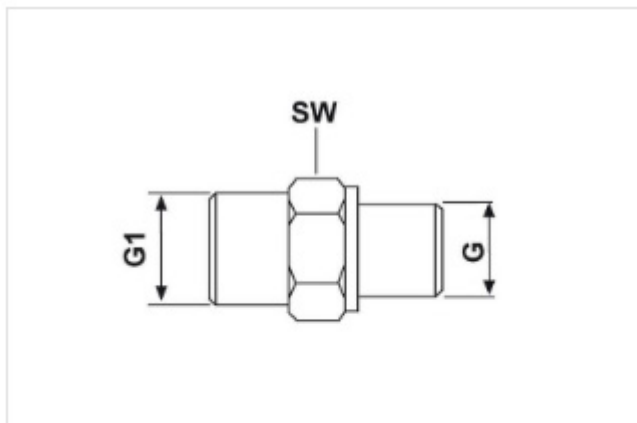
Stainless steel 1.4401 / 316 / V4A

Item No.	G	G1	L	SW	Bag	Box
5011-201	M 10 x 1 tap	M 10x1	23	13	25	500
5011-202	R 1/8 BSPT tap	RP 1/8 BSP	23	13	25	500

Attention:

Please check after assembly the fitting (male thread) into the angle adapter 90° (female thread), that the passage / flow is not closed.

## ADAPTERS - EXTENSIONS - REDUCERS



Steel zinc / steel zinc-nickel / CrVI free

Item No.	G	G1	SW	Bag	Box
100-209	1/4 BSPP	1/4 BSPP	17	5	100
100-209-20x1,5	1/4 BSPP	M 20 x 1,5	24	5	50
100-209-22x1,5	1/4 BSPP	M 22 x 1,5	24	5	50