

Product Information



Xtract™ Filtration

Xtract™ Standard Filter Cart

*Portable Offline Filtration Solution for Industrial Lubricants
in Wide Range of Applications*



Key Benefits

- Decontaminating systems
- Flushing new or repaired systems
- Dispensing new oil
- Pre-filtering new oil
- Evacuating used oil
- Topping off reservoirs
- Collecting oil samples for analysis

Highlights

- Allows for easy equipment adaptation and quick connection
- Prohibits entry of dirt and moisture
- Allows for customization



Asset Reliability Solutions™



AN UNCOMMON TECHNICAL RESOURCE

(413) 788-LUBE (5823)

www.LubeTechnologies.com

AUTHORIZED DISTRIBUTOR

Features & Specifications



Standard Filter Cart

Standard Features

- Automatic pressure relief valve
- Dual-stage filtration
- 12-foot hose assemblies
- Heavy-duty steel cart (powder-coated black) with oil catch pan
- Pneumatic wheels for easy mobility
- One-year warranty

Customizable (see last page for options):

- Pump motor
- Suction hose end connection (drain size) with ISO A or B connector
- Pressure hose end connection (fill size) with ISO A or B connector
- Micron rating of two Spin-On filters
- Color-coded Xtract branded plate with matching identification hang tag

Performance

- For filtering mineral-based industrial oils and most synthetic oils with maximum operating viscosity range of ISO VG 680 (300 ssu/648 cSt) at 38°C (100°F) within ambient temperature ranges of -26 to 66°C (-15 to 150°F)

Materials

- Frame: Carbon steel
- Paint: Industrial powder coat
- Filter head: Aluminum
- Fittings: Zinc-plated steel and/or brass
- Pumps: Aluminum/steel
- Hoses: Clear PVC with steel wire or hydraulic hose
- Gaskets: Buna-N

Filter Indicators

- Filter indicator pops at 22 psid (1.55 bar) as warning that filter elements need to be replaced

Pump Relief

- Opens at 65 psi

Dimensions

- 18.8" L x 21.5" W x 46.4" H

Weight

- Approximately 100-150 lb

Color-Coded Plate Options



Beige



Black



Blue



Dark Green



Gray



Mid Green



Orange



Purple



Red



Yellow



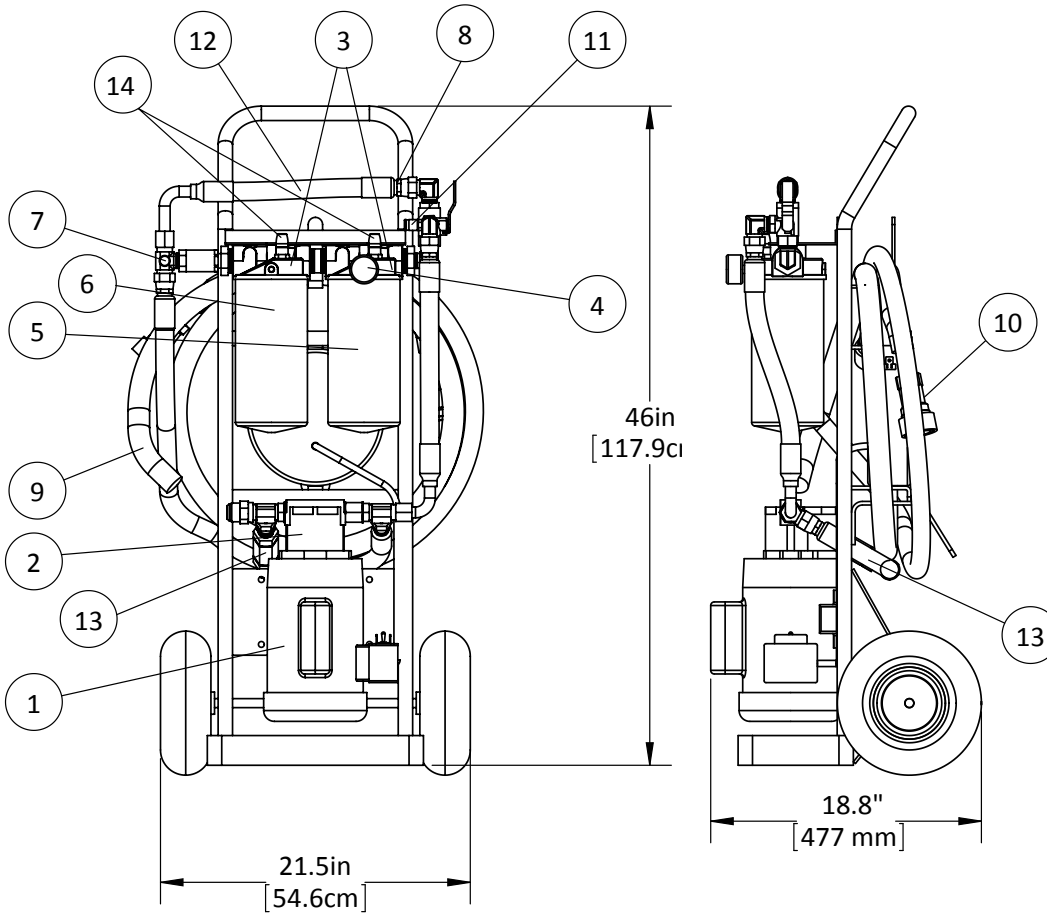
AN UNCOMMON TECHNICAL RESOURCE

(413) 788-LUBE (5823)

www.LubeTechnologies.com

AUTHORIZED DISTRIBUTOR

Features & Specifications



#	Description	Qty.
1	Motor	1
2	Gear Pump	1
3	Filter Head	2
4	Pressure Gauge	1
5	Filter Element A (large)	1
6	Filter Element B (small)	1
7	Post-Filter Sample Valve	1
8	Pre-Filter Sample Valve	1
9	12' Suction Hose (drain)	1
10	12' Pressure Hose (fill)	1
11	Manual Filter Bypass Valve	1
12	Filter Bypass	1
13	Pump Relief – 65 psi	1
14	Filter Change Indicator	1

Did You Know?

The filter cart pairs perfectly with LE's Tote, Drum, Hydraulic, Gearbox and Drain Port adapter kits.



Asset Reliability Solutions™



AN UNCOMMON TECHNICAL RESOURCE

(413) 788-LUBE (5823)

www.LubeTechnologies.com

AUTHORIZED DISTRIBUTOR

Ordering Instructions



Standard Filter Cart

- ✓ First, choose the correct part number based on desired **Pump/Motor** combination:

1) Pump/Motor (choose 1)

Part Number	Description
LEX-2GPM-STDFC	2 gpm/1 hp electric, 115 vac, 60 Hz, 1,725 rpm, 13 amps
LEX-5GPM-STDFC	5 gpm/1 hp electric, 115 vac, 60 Hz, 1,725 rpm, 13 amps

- ✓ Next, to complete the order, choose a code for each of the following five **Customizable Options**:

2) Suction Hose End Connection – Drain (choose 1)

Code	Description	Size
QC1000F-A or QC1000F-B	Xtract Quick Connect 1.0 Female ISO A or ISO B	1 inch
QC750F-A or QC750F-B	Xtract Quick Connect .75 Female ISO A or ISO B	¾ inch
QC500F-A or QC500F-B	Xtract Quick Connect .5 Female ISO A or ISO B	½ inch

Note: Suction hose end should always be larger than pressure hose end.

3) Pressure Hose End Connection – Fill (choose 1)

Code	Description	Size
QC1000F-A or QC1000F-B	Xtract Quick Connect 1.0 Female ISO A or ISO B	1 inch
QC750F-A or QC750F-B	Xtract Quick Connect .75 Female ISO A or ISO B	¾ inch
QC500F-A or QC500F-B	Xtract Quick Connect .5 Female ISO A or ISO B	½ inch

4) Large Micron Rating Spin-On Filter (A) (choose 1)

Code	Description
3M-AF	Xtract 3-Micron Filter Element
6M-BF	Xtract 6-Micron Filter Element
12M-CF	Xtract 12-Micron Filter Element
25M-DF	Xtract 25-Micron Filter Element
WA-JF	Xtract Water Filter Element

5) Small Micron Rating Spin-On Filter (B) (choose 1)

Code	Description
3M-AF	Xtract 3-Micron Filter Element
6M-BF	Xtract 6-Micron Filter Element
12M-CF	Xtract 12-Micron Filter Element
25M-DF	Xtract 25-Micron Filter Element
WA-JF	Xtract Water Filter Element

6) Color-Coding (choose 1; see photos on page 2)

Code	Description	Code	Description
BG	Beige Plate & Hang Tag	MG	Mid Green Plate & Hang Tag
BK	Black Plate & Hang Tag	OA	Orange Plate & Hang Tag
BL	Blue Plate & Hang Tag	PR	Purple Plate & Hang Tag
DG	Dark Green Plate & Hang Tag	RD	Red Plate & Hang Tag
GR	Gray Plate & Hang Tag	YW	Yellow Plate & Hang Tag

Order Example

To order a cart with 2 gpm pump/motor, 1" suction hose (ISO A) size, ¾" pressure hose end (ISO A), 12-micron large filter, 3-micron small filter, and dark green color-coding, provide the following codes (be sure to number and place in correct order):

- 1) LEX-2GPM-STDFC
- 2) QC1000F-A
- 3) QC750F-A
- 4) 12M-CF
- 5) 3M-AF
- 6) DG

Or, you can use our convenient online form at <http://www.lubricants.com/oil-filtration.html> to walk you through the order step by step.

Xtract™ is a trademark of Lubrication Engineers, Inc.



AN UNCOMMON TECHNICAL RESOURCE

(413) 788-LUBE (5823)

www.LubeTechnologies.com

AUTHORIZED DISTRIBUTOR