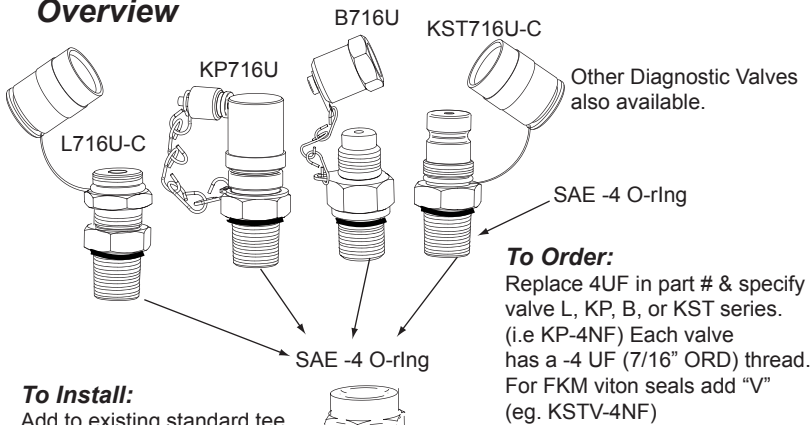


Inline Adapters

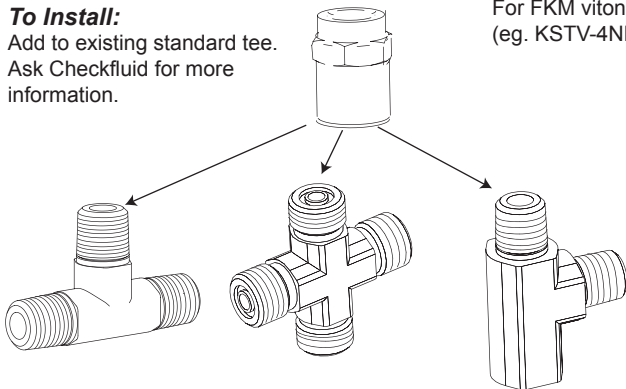
- Add a sampling valve at an existing connection.
- Install easily into JIC, ORFS, NPTF or hose adapters
- Replace a straight or elbow connection with a tee.
- Sample at a turbulent location.
- Adapters use a common -4 ORB valve port



Overview



To Install:
Add to existing standard tee.
Ask Checkfluid for more information.



Specifications

**Maximum Pressure: 4500psi/300bar
(pressure dependent on probe, valve and fitting required)
Steel, Zinc dichromated, Nitrile seals

For other styles, sizes & material please contact Checkfluid

JIC Inline Adapters

	① Female 7/16" ORB	② Female Rigid 7/16" JIC	Part# 4UF-4JF
	① Female 7/16" ORB	② Female Rigid 9/16" JIC	Part# 4UF-6JF
	① Female 7/16" ORB	② Female Swivel 3/4" JIC	Part# 4UF-8JF

O-Ring Face Seal Inline Adapters

	① Female 7/16" ORB	② Female Rigid 9/16" OFS	Part# 4UF-4FF
	① Female 7/16" ORB	② Female Swivel 11/16" OFS	Part# 4UF-6FF
	① Female 7/16" ORB	② Female Swivel 13/16" OFS	Part# 4UF-8FF
	① Female 7/16" ORB	② Female Swivel 1" OFS	Part# 4UF-10FF

NPT Inline Adapters

	① Female 7/16" ORB	② Female 1/4" NPT	Part# 4UF-4NF
--	--------------------	-------------------	---------------



Lubrication Technologies, Inc.
120 Bosworth Street
West Springfield, MA 01089

413-788-LUBE (5823)
Fax 413-218-5823
www.LubeTechnologies.com